

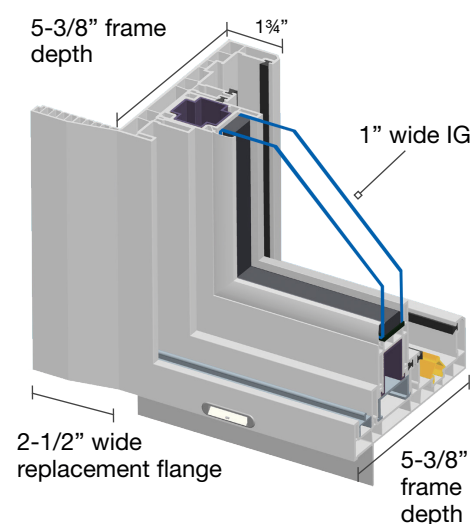
# Vinyl Frame Options

Different doors with vinyl frames meeting your needs for new construction, replacement or remodel are offered. All of these doors made with precision cuts are easy to install.

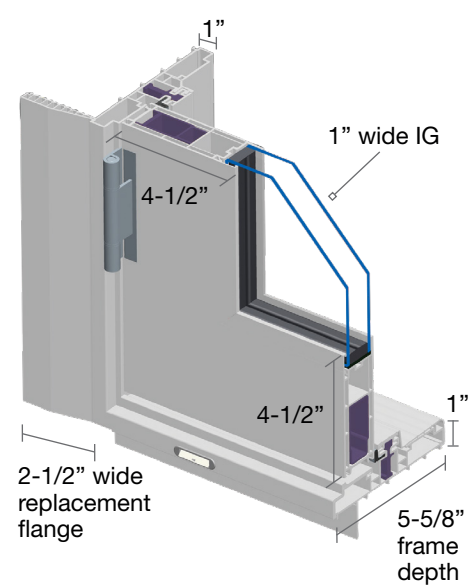
## 5-1/2" RETROFIT FRAME 2-1/2" FIN

Retrofit frames in most cases are used to replace existing aluminum doors. In these frames, a retrofit fin covers the outside view of the aluminum frame. Vinyl trim molding can be added when ordering the frame to cover the inside view of the existing aluminum frame.

### SLIDING PATIO DOORS & FRENCH SLIDING PATIO DOORS



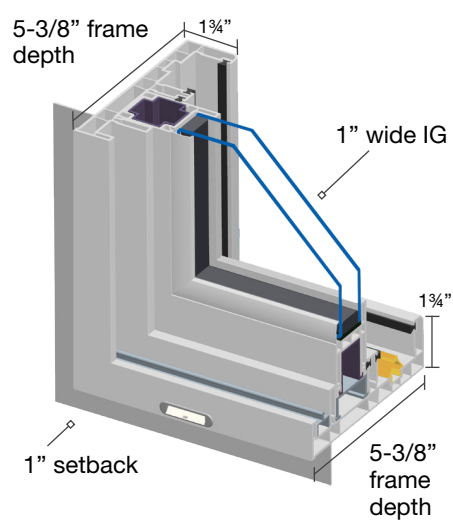
### SWING FRENCH DOORS



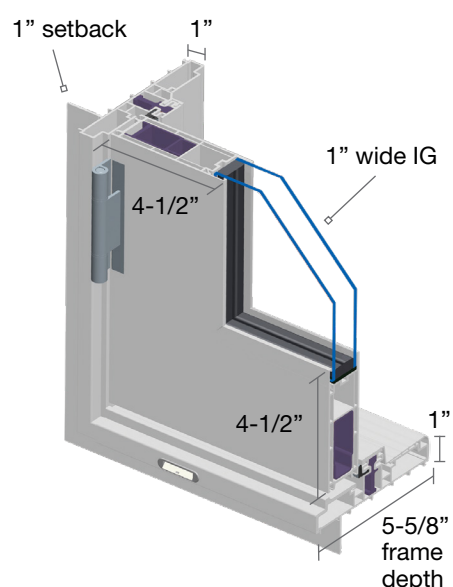
## 5-1/2" NAIL-ON FRAME 1" OR 1-3/8" SETBACK

Nail-On Frame are used on new construction or remodeling when stucco will be applied after door installation. This type of door frame is nailed or screwed directly onto the wood frame of the house or building.

### SLIDING PATIO DOORS & FRENCH SLIDING PATIO DOORS



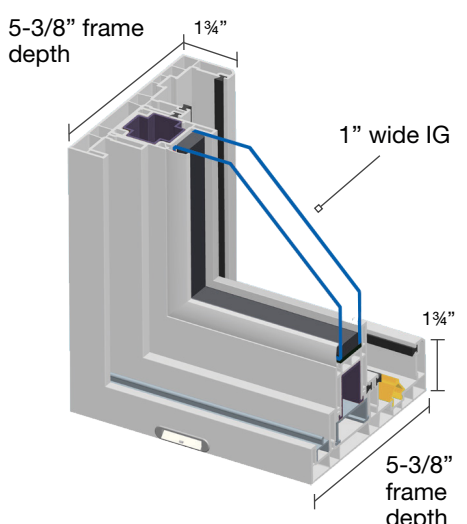
### SWING FRENCH DOORS



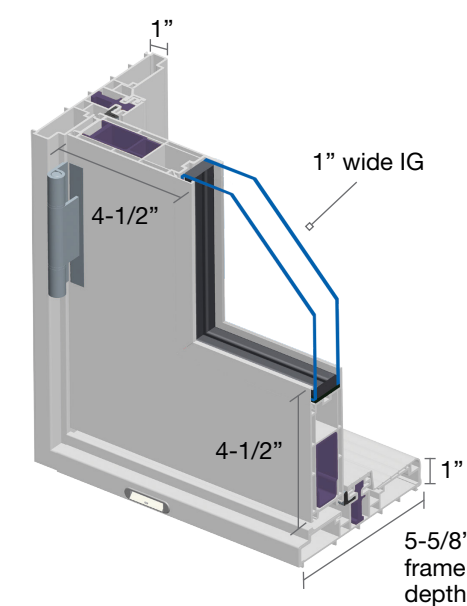
## 5-1/2" BLOCK FRAME

The replacement of existing wood patio doors call for the use of Block Frames. This type of frame is a non-finned frame used in a new or in a retrofit installation in a block (concrete) wall or as a replacement frame of an existing wood door.

### SLIDING PATIO DOORS & FRENCH SLIDING PATIO DOORS



### SWING FRENCH DOORS



PREMIUM WINDOWS & DOORS' Products are backed by a limited lifetime warranty in writing, and are energy efficient.



The National Fenestration Rating Council (NFRC) provides performance ratings on windows, doors and skylights. The NFRC label assures code compliance and gives credit to the brand.



The American Architectural Manufacturers Association (AAMA) certification label shows that the product meets rigorous performance standards.



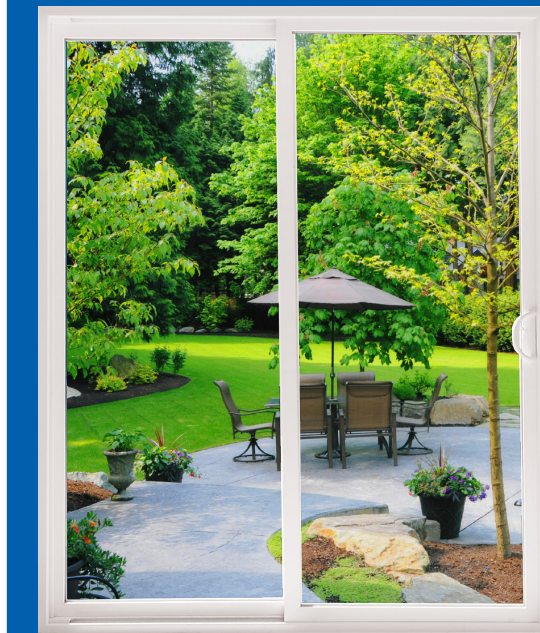
Cardinal Glass Industries Inc. is the ultimate in performance glass. LoE-366 provides the highest level of year-round comfort and energy savings.



ALSO AVAILABLE IN TRIPLE GLAZE

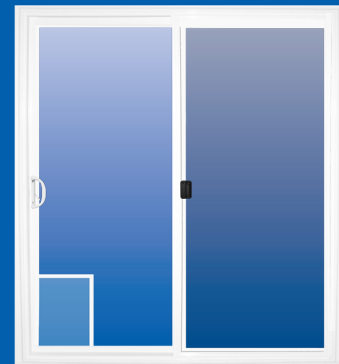


# Sliding Patio Doors



SLIDING PATIO DOOR

PREMIUM WINDOWS & DOORS' sliding patio doors are engineered to operate with ease and are sleek and less obtrusive than most designs available on the market today. Their heavy duty construction and hardware allow for even the largest size door to be open with little effort. The patio doors' two-point lock system is made to withstand great force. In addition, a personal touch can be achieved by ordering a decorative glass, grid pattern or color, or a pet door—available in different sizes for all door styles.

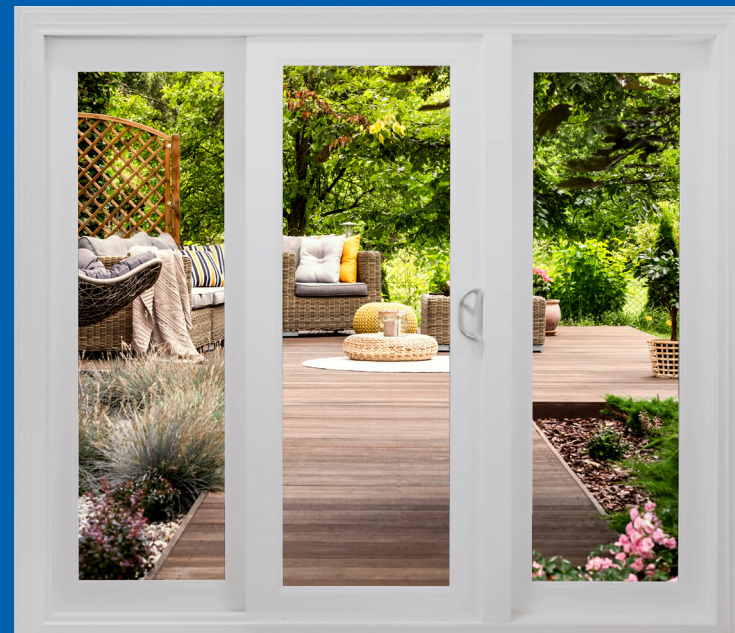


SLIDING PATIO DOOR WITH PET DOOR



Fiberglass screens are included with all orders of patio doors or French sliding doors.

# French Sliding Doors



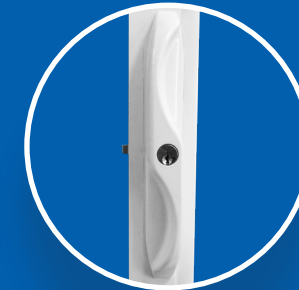
FRENCH SLIDING DOOR

PET DOOR AVAILABLE

French sliding patio doors combine the traditional style of the French door with the space saving convenience of a sliding patio door. PREMIUM WINDOWS & DOORS' French patio doors are built with wider door frames than the standard patio door frame, providing both a stronger performance and a luxurious appeal. An enhanced look and style can be achieved by opting for a diffused glass, selecting from several grid patterns and/or adding a custom color. Further, a custom size pet door can be added while keeping the luxurious look of the door!



This picture shows the width difference between a French sliding door (4 1/4") & a sliding patio door (2 1/4").



An external two-point key lock system on the sliding door handles can be added.

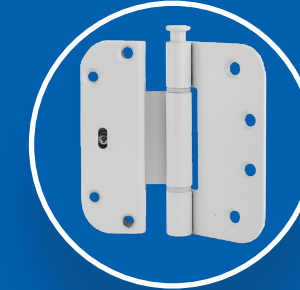
# French Swing Doors



FRENCH SWING DOORS

PET DOOR AVAILABLE

French swing doors are the ultimate in luxury and appeal. Several combinations and designs to compliment any design vision are available including doors that swing in or out, single or double doors and active or fixed sidelites. Locks with a three-point locking system are included to secure both the top and the bottom of the frame. The standard handle finish is white enamel. Other options are available upon request. Below are the door configurations for the French swing door.



Heavy duty French swing door hinges last the lifetime of the door. They facilitate opening or closing the door.



The door handles are installed using aluminum reinforcement beams to provide as much added strength as possible.

## Patio Door & French Sliding Door Handle Features:

- ✓ A dual point locking system
- ✓ Ergonomic exterior pulls
- ✓ A heavy duty die cast zinc construction
- ✓ A stylish modern design
- ✓ Long lasting powder coated finishes

## STANDARD HANDLE

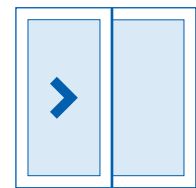


INTERIOR VIEW

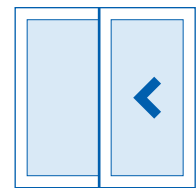


EXTERIOR VIEW

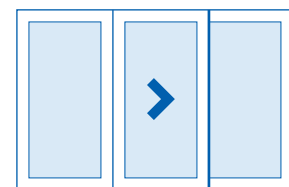
## Patio & French Sliding Doors Options



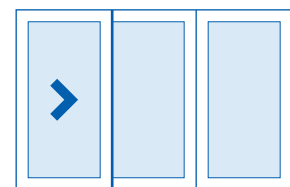
FROM LEFT TO RIGHT



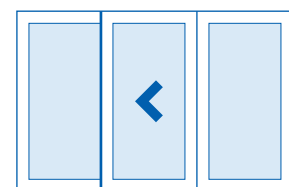
FROM RIGHT TO LEFT



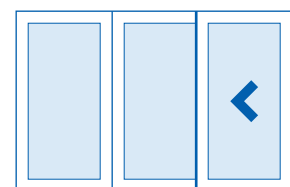
FROM CENTER TO RIGHT



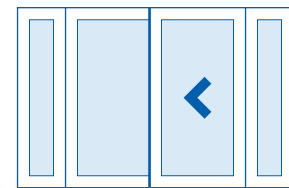
FROM LEFT TO CENTER



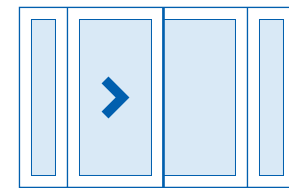
FROM CENTER TO LEFT



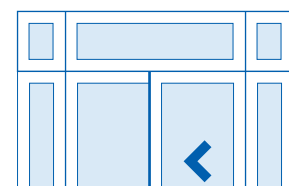
FROM RIGHT TO CENTER



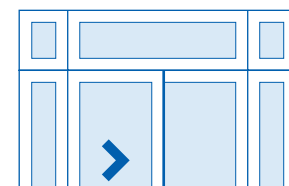
FROM RIGHT TO LEFT WITH SIDELITES FIXED



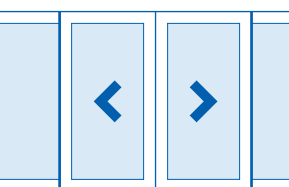
FROM LEFT TO RIGHT WITH SIDELITES FIXED



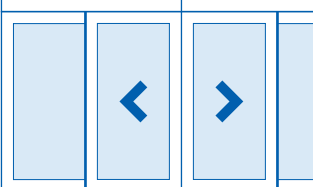
FROM RIGHT TO LEFT WITH SIDELITES FIXED & PICTURE AT TOP



FROM LEFT TO RIGHT WITH SIDELITES FIXED & PICTURE AT TOP

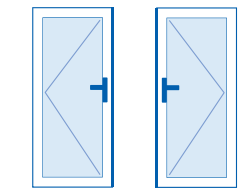


FROM CENTER TO SIDELITES

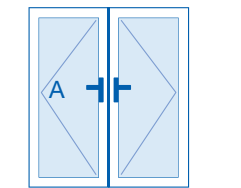


FROM CENTER TO SIDELITES WITH PICTURE AT TOP

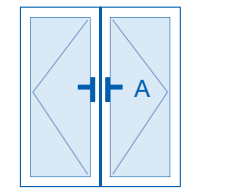
## French Swing Doors Options



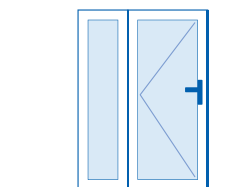
FROM RIGHT TO LEFT



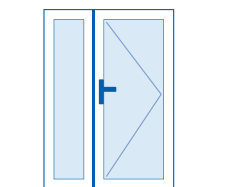
FROM CENTER WITH LEFT ACTIVE PANEL



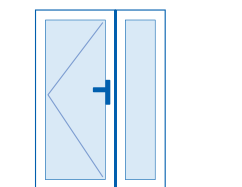
FROM CENTER WITH RIGHT ACTIVE PANEL



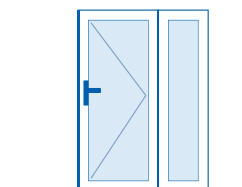
LEFT FIXED SINGLE DOOR FROM RIGHT TO LEFT



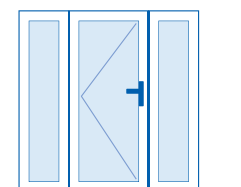
LEFT FIXED SINGLE DOOR FROM LEFT TO RIGHT



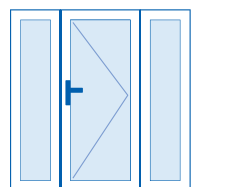
RIGHT FIXED SINGLE DOOR FROM RIGHT TO LEFT



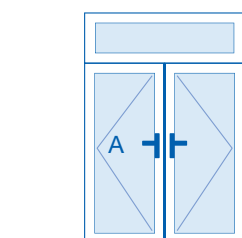
RIGHT FIXED SINGLE DOOR FROM LEFT TO RIGHT



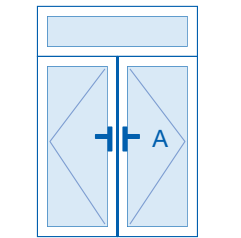
FROM RIGHT TO LEFT WITH SIDELITES FIXED



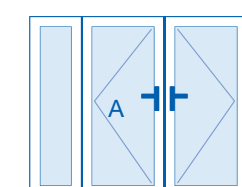
FROM LEFT TO RIGHT WITH SIDELITES FIXED



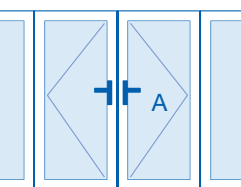
FROM CENTER WITH LEFT ACTIVE PANEL & TOP PICTURE



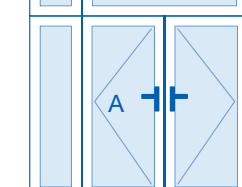
FROM CENTER WITH RIGHT ACTIVE PANEL & TOP PICTURE



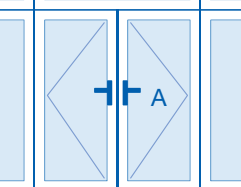
FROM CENTER WITH SIDELITES FIXED & LEFT ACTIVE PANEL



FROM CENTER WITH SIDELITES FIXED & RIGHT ACTIVE PANEL



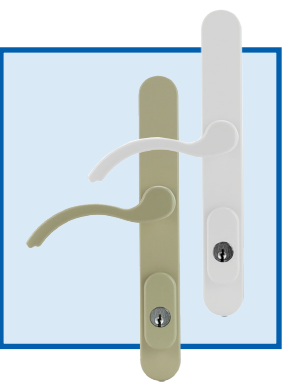
FROM CENTER WITH LEFT ACTIVE PANEL, SIDELITES FIXED & TOP PICTURE



FROM CENTER WITH RIGHT ACTIVE PANEL, SIDELITES FIXED & TOP PICTURE

## French Swing Door Hardware

The standard PREMIUM WINDOWS & DOORS' French swing door hardware colors are white or almond enamel. A broad array of colors and finishes are available as an upgrade to compliment or match other decorative metals or finishes.



An external key lock comes standard on all French doors. The three-point lock system adds extra strength to a door.



Almond



White



\*Finishes shown may vary slightly from actual product.